

DX150

6" / 150mm Axial Extract Fans

The DX150 range of intermittent extract fans is designed for those looking for something conventional, with a modern twist.

These fans control humidity, odours and mould growth effectively in kitchens, utility rooms, larger bathrooms and individual offices. Suitable for both wall and ceiling fitting, the DX150 range has 2 speeds, selectable at install, and comes complete with backdraught shutters.

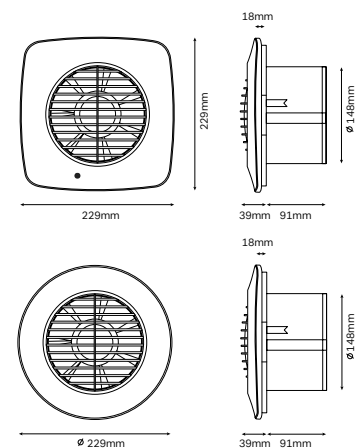
For wall fitting, we recommend the DX150 wallkit (93021AW) which comes complete with a 300mm walltube and external grille.

Models	Design	Timer (adjustable from 30s - 30mins)	Pullcord	Humidistat (50-90% RH)
DX150S	93070AW	■		
DX150TS	93072AW	■	✓	
DX150PS	93074AW	■	✓	
DX150HTS	93076AW	■	✓	✓
DX150R	93071AW	●		
DX150TR	93073AW	●	✓	
DX150PR	93075AW	●	✓	
DX150HTR	93077AW	●	✓	✓

Technical Details

	All Models
No. of Speeds	2
Power (W)	15.0 / 22.6
Duct Size (mm)	148
Flow rate (l/s)	60/67
Flow rate (m3/h)	214/241
Noise dB(A)3m	39/42
IPX Rating	4
Motor Type	AC
Height (mm) square / round	229/229
Width (mm) square / round	229/229
Depth (mm)	130
Colour	White

Dimensions



Country of Origin	Ireland
Guarantee Period	2 Years