

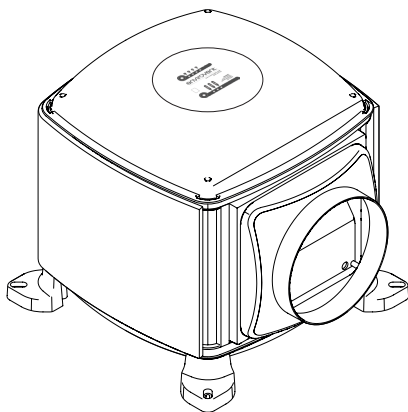
AFTER INSTALLATION THE END USER SHOULD  
KEEP THIS GUIDE FOR FUTURE REFERENCE  
**DO NOT THROW AWAY**

envirovent®

## LoftVent Mk2

PIV [LV2-EVL, LV2-EVL-H]

VENTILATION UNIT INSTALLATION GUIDE



Lifetime Range®

## Safety

**Read and understand these instructions before beginning installation. The unit should be installed by a competent person.**

### Location

Check there is space for the unit in your chosen location. The unit must not affect the operation of open-flue appliances. Consult local regulations or a qualified gas engineer.

The open sides of the diffuser must face a minimum 1m unobstructed path away from any smoke detectors. If the diffuser cannot be repositioned, up to two sides can be closed using the plastic blanking plates. In this configuration the open sides must face a minimum 1.5m unobstructed path away from any smoke detectors.

In properties with a floor above 4.5m steel diffusers must be fitted a minimum of 1m away from the smoke detectors instead of the included plastic diffusers.

Partition walls between buildings must be complete with any breaks filled.

In properties with a floor more than 4.5m above ground level the unit must be wired into a smoke alarm, the unit will switch off on detection of smoke [see page 14 for wiring information].

The appliance is considered suitable for use in countries with a warm damp equable climate, but may also be used in other countries.

## Wiring Regulations

All wiring must comply with Building Regulations and the current IET Wiring Regulations (BS7671 in the UK) or equivalent standards for other countries. The final installation should be examined and tested by a qualified electrician.

This product is not suitable for use with a Type AC RCD 

## Electrical Connection

The unit must be earthed and a suitable isolator with a minimum contact separation of 3.0mm must be used to provide insulation for the unit. The unit must be able to be disconnected from the mains supply after installation. When wiring the unit, the included unswitched fuse spur should be incorporated in the fixed wiring.

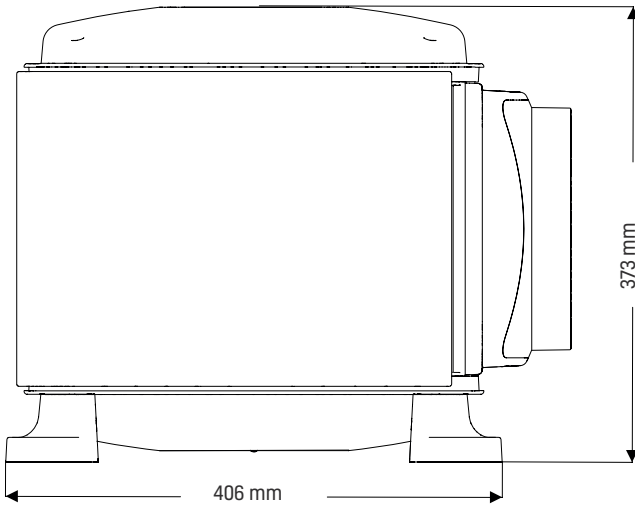
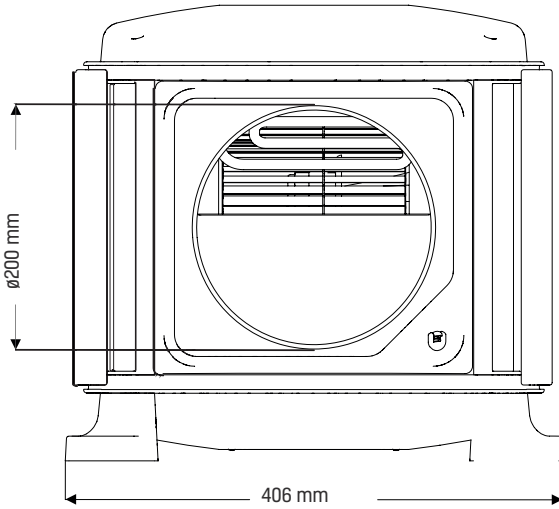
The power supply cable running into the unit must remain the supplied flexible cable (not a solid core lighting cable). If the power supply cable becomes damaged, it must be replaced by EnviroVent, an authorised service agent for your region/country, or a similarly qualified person in order to avoid a hazard. Do not remove or tamper with any electronic components inside the product.

## Users

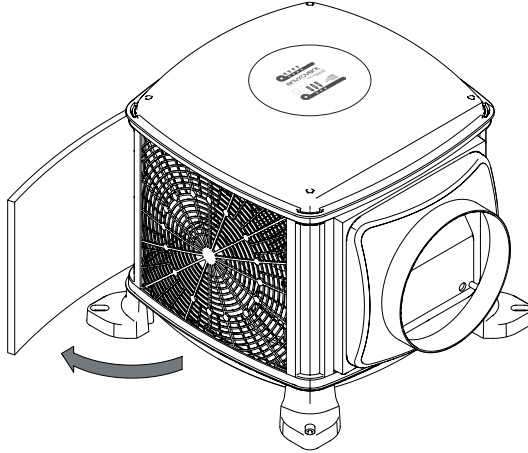
The unit is not intended for use by persons (including children) with reduced physical, sensory or mental capabilities or lack of experience and knowledge, unless they have been given supervision and usage instruction by a person responsible for their safety. Children should be supervised to ensure they do not play with the unit. Cleaning and user maintenance must not be performed by children.

# Diagrams

PIV

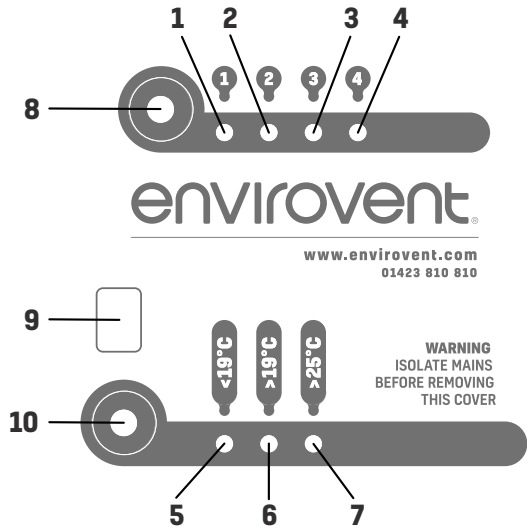


## FILTER



## KEYPAD

- 1 - Airflow 1
- 2 - Airflow 2
- 3 - Airflow 3
- 4 - Airflow 4
- 5 - Temperature <math><19^{\circ}\text{C}</math>
- 6 - Temperature <math>>19^{\circ}\text{C}</math>
- 7 - Temperature <math>>25^{\circ}\text{C}</math>
- 8 - Top button
- 9 - Numeric Display
- 10 - Bottom button

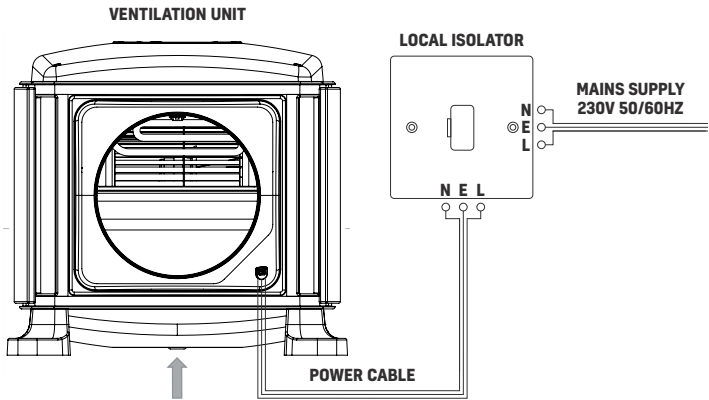


AFTER INSTALLATION THE END USER SHOULD  
KEEP THIS GUIDE FOR FUTURE REFERENCE

**DO NOT  
THROW AWAY**

envirovent®

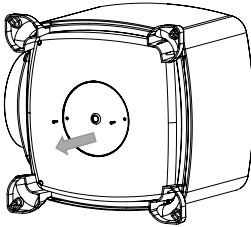
# WIRING



TO CONNECT OPTIONAL HEATER ENABLE CABLE SEE STEP 1 TO 4

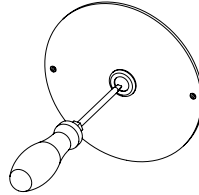
The local isolator must be connected to the mains as part of the fixed wiring. Connect the N, L and E cores of the power cable to the matching terminals on the local isolator.

1



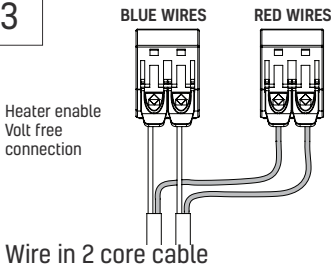
Remove base cap (two screws)

2



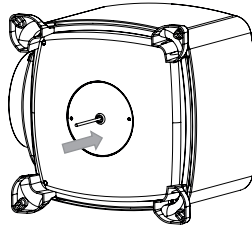
Make small hole in grommet and thread 2 core cable through

3



Wire in 2 core cable

4



Replace base cap (two screws)

## **PIV box contents**

- 1x PIV unit
- 1x 200mm diffuser (+ 2x blanking plates)
- 1x Instruction guide
- 1x Diffuser mounting template
- 1x Flexible duct (1m x 200mm dia.)
- 1x Unswitched fuse spur
- 8x Foam pads
- 4x Washers
- 4x Screws 10g x 3"
- 4x Screws 10g x 1.5"
- 4x Screws 8g x 1.5"
- 4x Screws 8g x 1"
- 4x Plasterboard plugs
- 1x Roll of fixing tape

## Pre - Installation Checklist

- Does the unit fit through the loft hatch?
- Check there are no obstructions in the hallway or landing where the diffuser is to be fitted and in the loft space above.
- Ensure the loft has adequate cross-flow ventilation to provide a supply of fresh air to the unit.
- Check that all partition walls are intact. Seek building advice if any are missing or broken.
- Check for flued appliances drawing air from the loft, the user should be made aware of any of these.
- Check that any flue passing through the loft is undamaged. Seek building advice if any are damaged or broken.
- Repair any ceiling gaps which allow air leakage into the loft.
- Ensure any loft water storage tanks are covered and sealed.

## About PIV

Positive Input Ventilation (PIV) units create fresh and healthy living environments by supplying filtered air into a property at a continuous rate through ceiling mounted diffusers. The diffusers are normally installed in a hallway or landing area.

The units have been developed to improve indoor air quality and resolve condensation and mould problems and are designed to operate for 3 years with no requirement for maintenance other than replacement of the filter. It is recommended that the filters are checked regularly and replaced when required. If there are very high amounts of particulate matter in the air and loft space, the filter will need to be replaced more frequently.

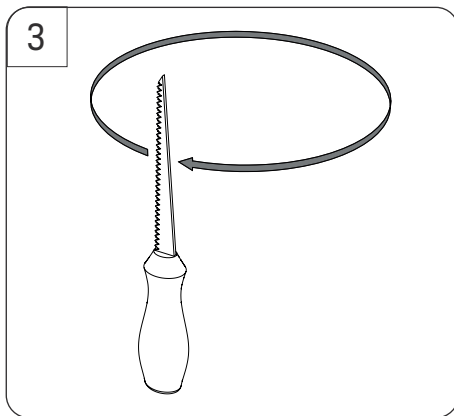
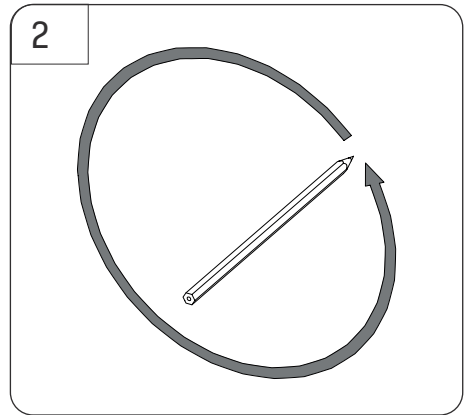
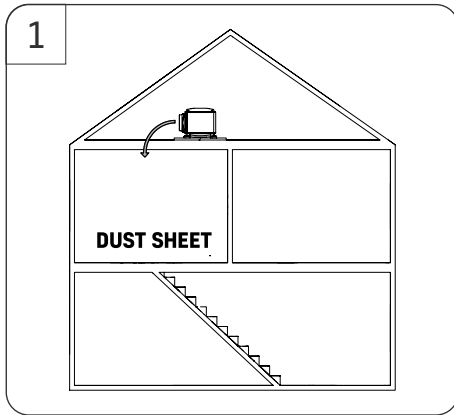


In conditions between 19°C - 25°C the units will increase air flow rate by 10%. In hot conditions above 25°C the units will temporarily switch off to avoid bringing hot air into the property from the loft space.

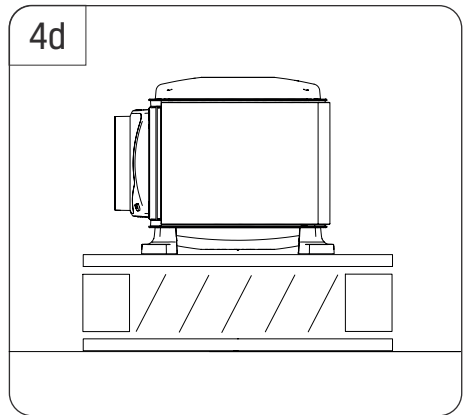
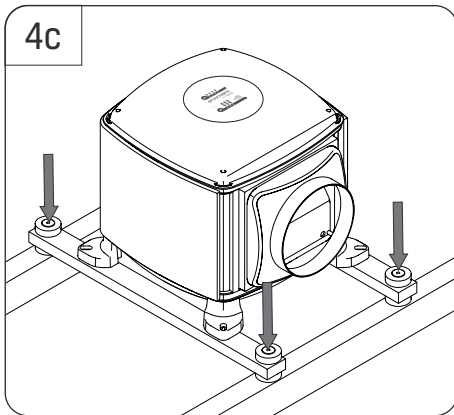
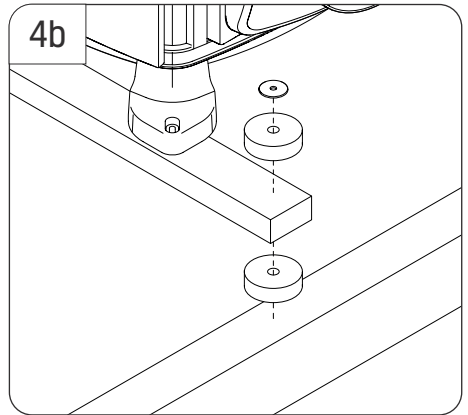
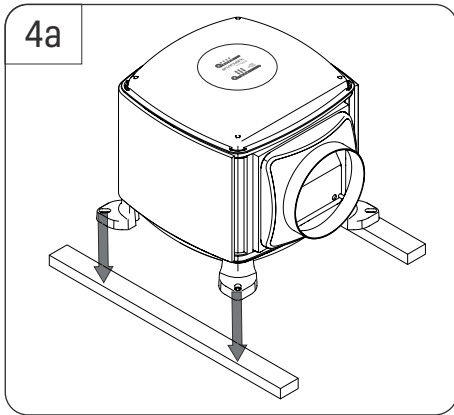
The PIV Unit uses a single 200mm diffuser to provide air into a hallway or landing area.

## Installation

1. Place a dust sheet below the required ceiling diffuser position and check the ceiling below and loft space above are unobstructed.
2. For PIV mark a 222mm diffuser hole using the template.
3. Wearing a dust mask and eye protection, cut out the hole/s.



4. a) Screw the feet of the unit onto two 25mm x 50mm wood battens using the **four 10g x 1.5" screws**. (Battens not supplied).
4. b) Position the unit with anti-vibration pads and washers onto the loft ceiling joists as in the diagram.
4. c) Screw the battens to the ceiling joists using the **four 10g x 3" screws**.
4. d) If the loft insulation sits above the joists and impedes the unit, create a raised wooden platform to mount onto.



5. Insert the diffuser spigot into the ceiling hole so that the diffuser outlets face towards the walls then mark the four fixing holes.

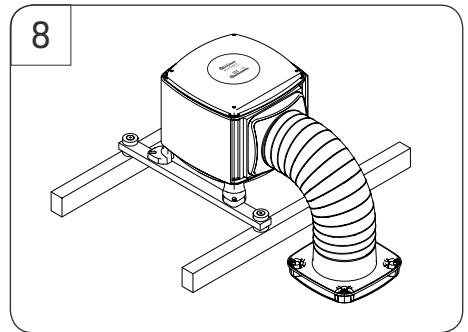
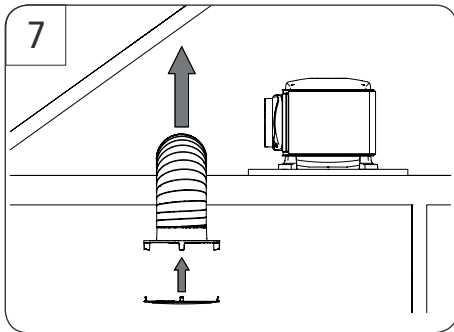
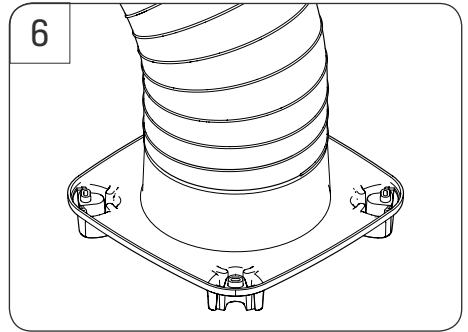
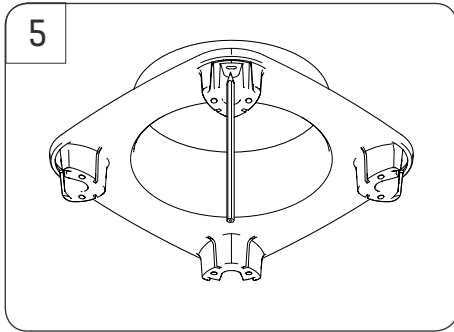
6. Attach the duct to the spigot of the diffuser and seal the connection using the fixings supplied.

7. Insert the diffuser spigot into the hole then fix it in place.

**Use the four plasterboard plugs and four 8g x 1.5".**

Then clip the diffuser cover into the diffuser spigot.

8. Attach the flexible duct to the spigot on the unit and ensure it is pulled taught. Seal the connection tightly using the fixings supplied. Cut the duct to length if required.



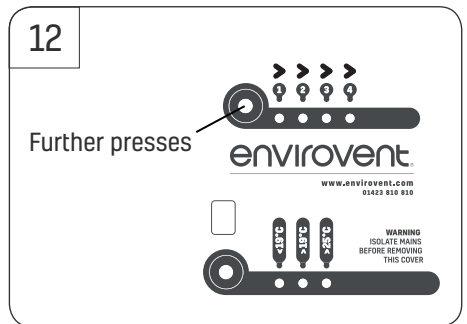
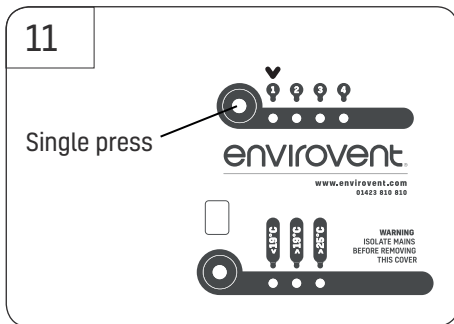
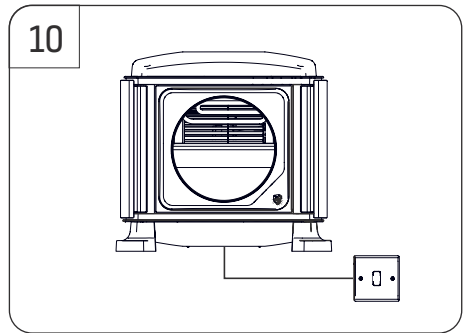
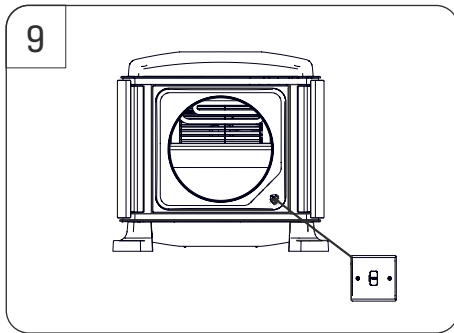
9. With the mains supply isolated, wire the power cable into the unswitched fuse spur then wire the unswitched fuse spur into the mains supply [see wiring diagram on page 5].

**Use two of the 8g x 1" screws to attach the spur to a loft joist.**

10. Unit can be wired to a heater enable switch (not included). Wire into the connection located under the unit (see Page 5, cable not included) and fit it in an accessible area. **Do NOT wire into mains or any other power source. Use two of the 8g x 1" screws to attach the switch to the wall.**

11. Reconnect the electrical supply to the unit. Air should begin to flow from the diffuser. Press button 1 to show current air flow rate.

12. Further presses will cycle through the air flow rate settings.



# Fire Safety

## Fire Kits

For installations with a floor more than 4.5m above ground, a compatible fire kit must be fitted. The kits listed below contain all the extra parts and instructions required:

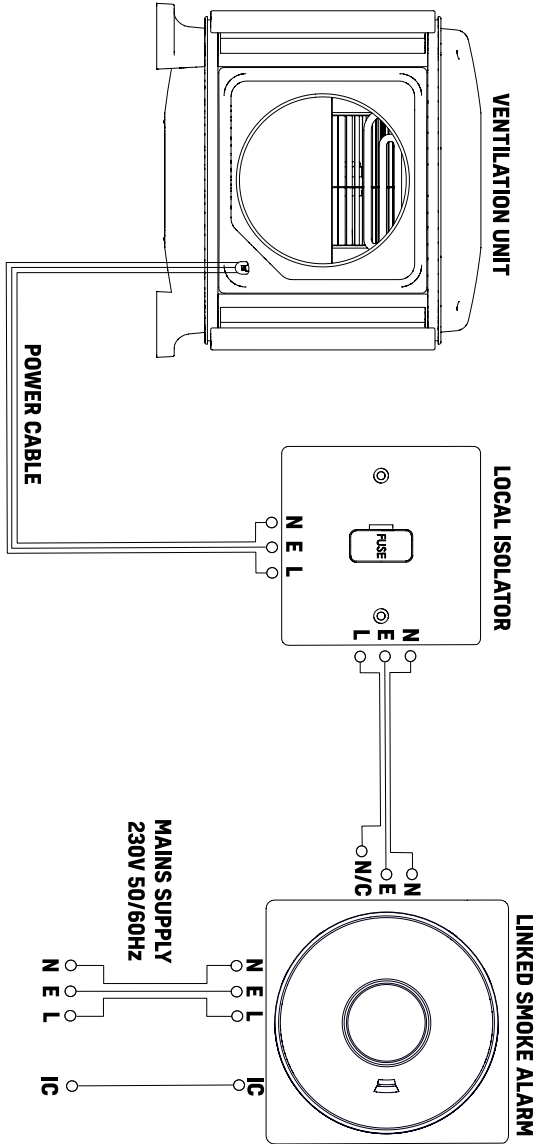
Order Code	Description
KIT-PIV-SMOKE-200	PIV fire kit with 1x 200mm diffuser

## Smoke Alarms

For installations with a floor more than 4.5m above ground, the unit should be wired into a smoke alarm, in order to switch the unit off upon the detection of smoke. A smoke alarm kit is available using order code 1ACSMOKEALARM-KIT. The unit can also be wired into an existing smoke alarm [check compatibility with the smoke alarm manufacturer]. All wiring should be completed by a competent person.

To test the installation, press the TEST button on top of the smoke alarm and keep it pressed until the PIV unit switches off [LEDs on the board go out].

# SMOKE ALARM WIRING



AFTER INSTALLATION THE END USER SHOULD  
KEEP THIS GUIDE FOR FUTURE REFERENCE

**DO NOT  
THROW AWAY**

## Energy Usage and Airflow Performance

House size setting	Max air flow rate [l/s] <sup>a</sup>	Power usage [Watts] <sup>b</sup>
1.	21	4
2.	29	4
3.	38	6
4.	49	9

<sup>a</sup> Diffuser installed without blanking plates fitted.

<sup>b</sup> Power usage shown with comfort heater function disabled.

## Running costs

Please scan our QR code to see the annual running costs of this product.



Or visit: [envirovent.com/annual-running-costs](https://envirovent.com/annual-running-costs)



## Spares/Accessories

Item Description	Order Code
Replacement coarse particle filter (ISO Coarse 65%)	FILTERPIV-COARSE
Replacement medium particle filter (ePM10 50%)	FILTERANC-MEDI
Replacement fine particle filter (ePM2.5 50%)	FILTERANC-FINE
Replacement coarse particle filter including carbon (ISO coarse 65% including carbon)	FILTERANC-COARSE+C
Replacement 200mm diffuser	1DIFEVLDF
Fixing kit	FIXINGKITEVL
Heater enable switch*	HEATER ENABLE SWITCH
Smoke alarm**	1ACSMOKEALARM-KIT

\*Additional two core cable required. \*\*Additional four core cable required.

## Maintenance

The LV2-EVL and LV2-EVL-H units are designed to operate for 3 years before requiring a full service. Filters should be checked regularly and replaced when required.

If there are very high amounts of particulate matter in the air and loft space, the filter will need to be replaced more frequently.

# Warranty

We appreciate you choosing this quality EnviroVent product, which is designed and manufactured to the highest specification in Harrogate, North Yorkshire. We are confident that you will be delighted with the performance of the system and the resulting improvement in air quality in your home after the installation of the unit.

This unit is covered by a full 3-year warranty. There is no requirement for maintenance other than replacement of the filter after 3 years and general cleaning.

The warranty covers any defect or break down that arises due to faulty materials or construction. Please note that a receipt will be required as proof of purchase. Any units or parts (including filters) bought from an unapproved source, and are used with genuine EnviroVent units including but not limited to auction websites, are not covered by this warranty.

The warranty does not cover any labour.

Your unit serial number .....

For warranty conditions and exclusions, visit

**[www.envirovent.com/warranty](http://www.envirovent.com/warranty)**

## What should I do if I have a problem?

You should not dismantle or remove any parts of the unit other than those instructed in this guide. Tampering with the unit will void the warranty. For further assistance, please call **01423 810 810**.

AFTER INSTALLATION THE END USER SHOULD  
KEEP THIS GUIDE FOR FUTURE REFERENCE

**DO NOT  
THROW AWAY**

**envirovent**

AFTER COMPLETING INSTALLATION, PASS THIS GUIDE  
ONTO THE END USER FOR FUTURE REFERENCE  
**DO NOT THROW AWAY**

# envirovent®

Leading Manufacturer & Supplier of  
Innovative & Sustainable Ventilation Systems

EnviroVent Ltd  
Harrogate West Business Park  
Unit 1 Bardner Bank  
Killinghall  
Harrogate  
HG3 2SP

T / 01423 810 810  
E / [info@envirovent.com](mailto:info@envirovent.com)  
W / [envirovent.com](http://envirovent.com)

Boxed unit weight: 7.7 kg      Unboxed unit weight: 5.5 kg

---

## E&OE | MKT ENV1128 - V3 - 25.10.24

Due to our policy of continuous innovation and improvement EnviroVent reserves the right to alter products specification and appearance without notice.

## We want to hear from you

Your feedback is important to us as we strive to improve our products, services, and overall customer experience. Please email us to help us serve you better: [feedback@envirovent.com](mailto:feedback@envirovent.com)